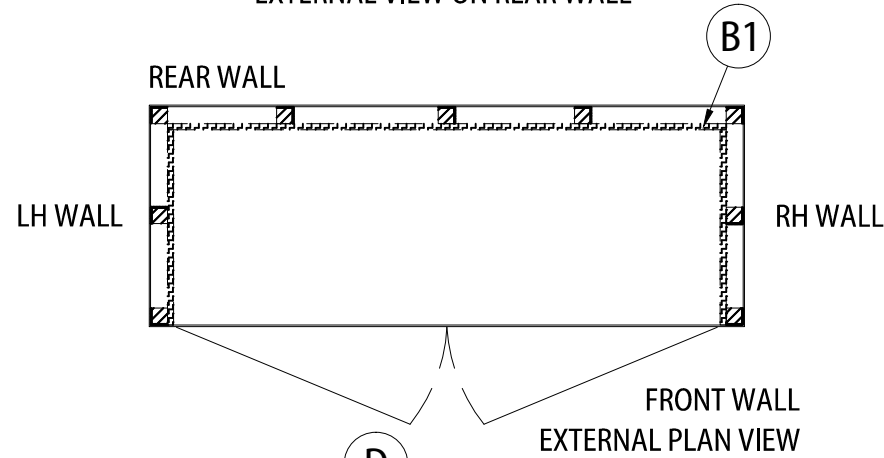
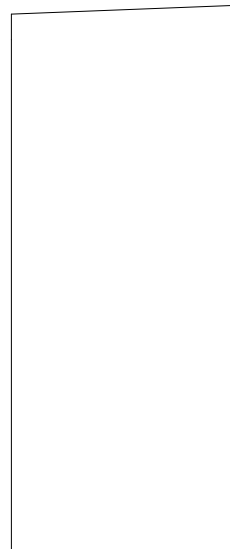




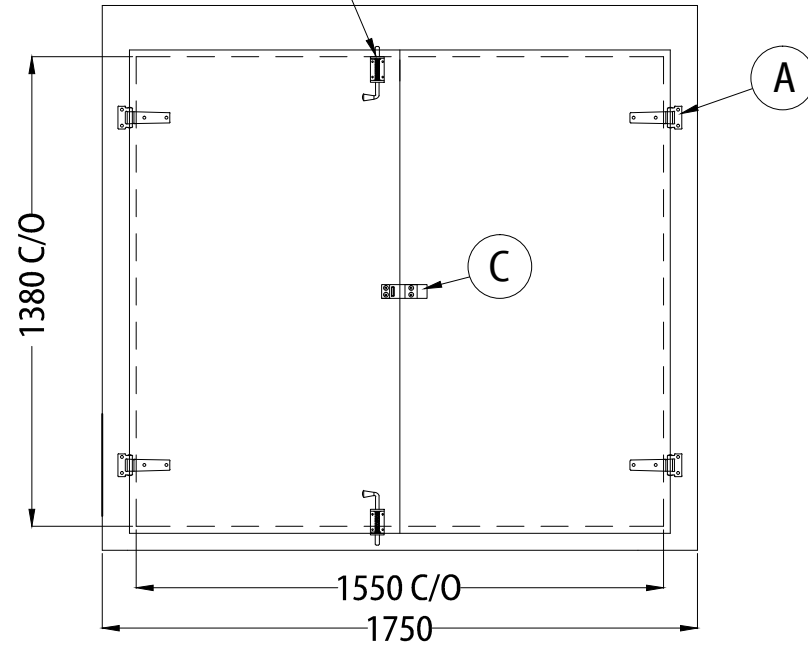
EXTERNAL VIEW ON REAR WALL



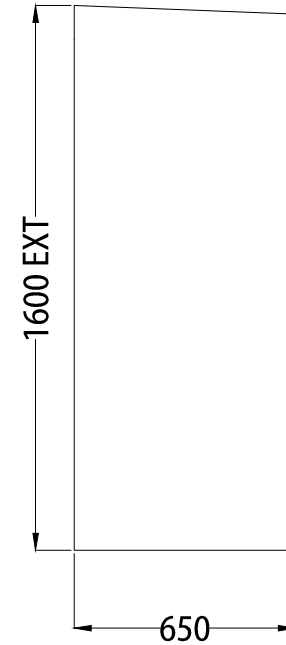
EXTERNAL PLAN VIEW



EXTERNAL VIEW ON LH WALL



EXTERNAL VIEW ON FRONT WALL



EXTERNAL VIEW ON RH WALL

CONSTRUCTION: 4mm STEEL/50x50 RSA/12mm PLY/GRP  
 EXTERNAL FINISH: PAINTED  
 EXTERNAL COLOUR REF: TO BE ADVISED  
 INTERNAL FINISH: MATT GRP  
 INTERNAL COLOUR: WHITE  
 BASE FLANGE: 100mm  
 QTY GRP COWLS: 0

PARTS LIST / LEGEND:		QTY:
A	STAINLESS STEEL HINGES	4
B	STAINLESS STEEL 90° DOOR STAY	0
C	CYLINDER LOCK	1
D	SPRING TOWER BOLT	2
E		0
F		0
G		0
H		0
J		0
K		0
L		0
M		0
N		0
O		0
P		0
Q		0
R		0
S		0
T		0
U		0
V		0
W		0
X		0
Y		0
Z		0
B1	FULL WIDTH x FULL HEIGHT x 12mm ENCAPLULATED PLY BACKBOARDS	3
B2		0
B3		0

PRODUCTION NOTES:

- 1)
- 2)
- 3)

APPROXIMATE WEIGHTS:	
KIOSK (NOT INCLUDING FLOOR)	TBC
TIMBER JOIST FLOOR	N/A
STEEL BASE	N/A
STEEL BASE LIFTING EYE SWL (PER EYE)	N/A

SUMMARY OF TERMS:  
 CIH-CLEAR INTERNAL HEIGHT  
 C/O-CLEAR OPENING  
 EXT-EXTERNAL

THIS DRAWING AND DESIGN IS THE PROPERTY OF INDUSTRIAL GRP LTD AND WITHOUT THE WRITTEN CONSENT OF INDUSTRIAL GRP LTD MAY NOT BE COPIED IN WHOLE OR IN PART OR COMMUNICATED IN ANY FORM TO A THIRD PARTY.

REV:	DETAILS OF REVISION:	DRAWN:	CHKD:	DATE:
-	FIRST ISSUE	SP	DA	00/00/13

**Industrial GRP**  
 TEL: 01269 845800 FAX: 01269 845180 - UNIT C2, CAPEL HENDRE IND EST, AMMANFORD, CARMS, SA18 3SJ

TITLE:	S7 STEEL CABINET		
CLIENT:	INDUSTRIAL GRP		
DRAWING NO:	S7	SCALE:	NTS
SHEET NO:	1 OF 1	REV:	-